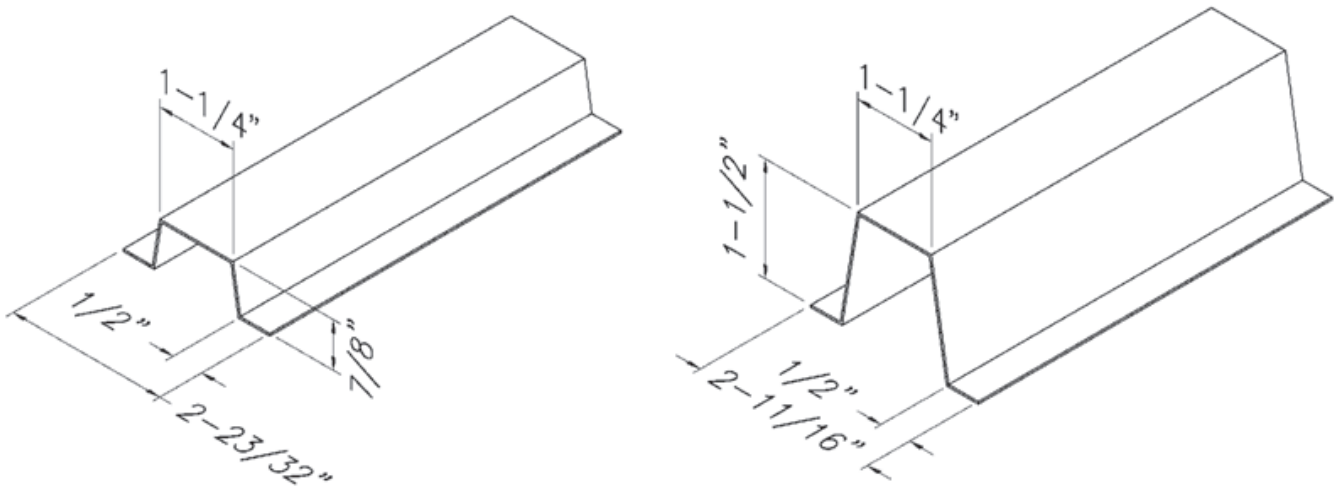


(Hat) Furring (F) Channel Section Properties

Section	Design Thickness (in)	Yield strength, Fy (ksi)	Gross Properties					Effective Properties				
			Area	Weight	Ix	Rx	Iy	Ry	Ix	Sx	Ma	Va
			(in ²)	(lb/ft)	(in ⁴)	(in)	(in ⁴)	(in)	(in ⁴)	(in ²)	(ft-lb)	(lb)
087F125-18	0.0188	33	0.072	0.244	0.009	0.354	0.035	0.698	0.008	0.016	26.61	255
087F125-27	0.0283	33	0.107	0.365	0.013	0.351	0.051	0.693	0.013	0.027	45.20	381
087F125-30	0.0312	33	0.118	0.401	0.014	0.350	0.056	0.691	0.014	0.031	50.98	420
087F125-33	0.0346	33	0.130	0.443	0.016	0.349	0.062	0.689	0.016	0.034	56.23	464
087F125-43	0.0451	33	0.168	0.572	0.020	0.345	0.079	0.684	0.020	0.043	71.00	599
150F125-18	0.0188	33	0.095	0.324	0.031	0.572	0.052	0.742	0.029	0.034	56.73	261
150F125-27	0.0283	33	0.143	0.485	0.046	0.569	0.077	0.737	0.046	0.057	94.22	390
150F125-30	0.0312	33	0.157	0.534	0.051	0.568	0.085	0.735	0.050	0.064	105.92	429
150F125-33	0.0346	33	0.174	0.590	0.056	0.566	0.093	0.733	0.056	0.071	117.31	474
150F125-43	0.0451	33	0.225	0.764	0.071	0.563	0.119	0.728	0.071	0.091	149.70	613

1. Calculated properties are based on AISI S100-07 with S2-10, North American Specification for Design of Cold-Formed Steel Structural Members.
2. Minimum base metal thickness is 95% of design thickness. Design thickness used for determination of properties.
3. Effective properties are based on Fy=33ksi. For deflection calculations, use effective Ix. Effective Ix is based on Procedure 1 of NASPEC.
4. Effective properties are given as the minimum value for positive or negative bending.



(Hat) Furring (F) Channel Allowable Ceiling Spans L/360

Member	Yield Strength, Fy (ksi)	Spans	4 psf			6 psf			13 psf		
			Spacing (in) o.c.			Spacing (in) o.c.			Spacing (in) o.c.		
			12	16	24	12	16	24	12	16	24
087F125-18	33	Single	4' 5"	4' 0"	3' 6"	3' 10"	3' 6"	3' 1"	3' 0"	2' 9"	2' 5"
		Multiple	5' 6"	5' 0"	4' 4"	4' 9"	4' 4"	3' 10"	3' 8"	3' 4"	2' 10"
087F125-27	33	Single	5' 3"	4' 9"	4' 2"	4' 7"	4' 2"	3' 8"	3' 6"	3' 3"	2' 10"
		Multiple	6' 6"	5' 11"	5' 2"	5' 8"	5' 2"	4' 6"	4' 4"	4' 0"	3' 6"
087F125-30	33	Single	5' 5"	4' 11"	4' 3"	4' 9"	4' 3"	3' 9"	3' 8"	3' 4"	2' 11"
		Multiple	6' 8"	6' 1"	5' 3"	5' 10"	5' 3"	4' 7"	4' 6"	4' 1"	3' 7"
087F125-33	33	Single	5' 7"	5' 1"	4' 5"	4' 10"	4' 5"	3' 10"	3' 9"	3' 5"	3' 0"
		Multiple	6' 11"	6' 3"	5' 6"	6' 0"	5' 6"	4' 9"	4' 8"	4' 3"	3' 8"
087F125-43	33	Single	6' 0"	5' 6"	4' 9"	5' 3"	4' 9"	4' 2"	4' 1"	3' 8"	3' 3"
		Multiple	7' 5"	6' 9"	5' 11"	6' 6"	5' 11"	5' 2"	5' 0"	4' 7"	4' 0"
150F125-18	33	Single	6' 10"	6' 2"	5' 5"	5' 11"	5' 5"	4' 9"	4' 7"	4' 2"	3' 8"
		Multiple	8' 5"	7' 8"	6' 8"	7' 4"	6' 8"	5' 10"	5' 8"	4' 9"	3' 8"
150F125-27	33	Single	7' 1"	7' 3"	6' 4"	6' 11"	6' 4"	5' 6"	5' 4"	4' 11"	4' 3"
		Multiple	9' 10"	8' 11"	7' 10"	8' 7"	7' 10"	6' 10"	6' 8"	6' 0"	5' 3"
150F125-30	33	Single	8' 2"	7' 5"	6' 6"	7' 2"	6' 6"	5' 6"	5' 6"	5' 0"	4' 5"
		Multiple	10' 1"	9' 2"	8' 0"	8' 10"	8' 0"	7' 0"	6' 10"	6' 3"	5' 5"
150F125-33	33	Single	8' 6"	7' 8"	6' 9"	7' 5"	6' 9"	5' 10"	5' 9"	5' 2"	4' 6"
		Multiple	10' 6"	9' 6"	8' 4"	9' 2"	8' 4"	7' 3"	7' 1"	6' 5"	5' 7"
150F125-43	33	Single	9' 2"	8' 4"	7' 4"	8' 0"	7' 4"	6' 4"	6' 2"	5' 8"	4' 11"
		Multiple	11' 4"	10' 4"	9' 0"	9' 11"	9' 0"	7' 11"	7' 8"	7' 0"	6' 1"

1. Allowable ceiling spans are based on effective properties.
2. Multiple span indicates two or more equal spans with channel continuous over center support.
3. Bearing length = 0.75-inches.

(Hat) Furring (F) Channel Allowable Ceiling Spans L/240

Member	Yield Strength, Fy (ksi)	Spans	4 psf			6 psf			13 psf		
			Spacing (in) o.c.			Spacing (in) o.c.			Spacing (in) o.c.		
			12	16	24	12	16	24	12	16	24
087F125-18	33	Single	5' 1"	4' 2"	4' 0"	4' 5"	4' 0"	3' 6"	3' 5"	3' 1"	2' 9"
		Multiple	6' 3"	5' 8"	5' 0"	5' 6"	5' 0"	4' 3"	4' 1"	3' 6"	2' 10"
087F125-27	33	Single	6' 0"	5' 5"	4' 9"	5' 3"	4' 9"	4' 2"	4' 1"	3' 8"	3' 3"
		Multiple	7' 5"	6' 9"	5' 11"	6' 6"	5' 11"	5' 2"	5' 0"	4' 7"	3' 9"
087F125-30	33	Single	6' 2"	5' 7"	4' 11"	5' 5"	4' 11"	4' 3"	4' 2"	3' 9"	3' 4"
		Multiple	7' 8"	6' 11"	6' 1"	6' 8"	6' 1"	5' 3"	5' 2"	4' 8"	4' 0"
087F125-33	33	Single	6' 5"	5' 10"	5' 1"	5' 7"	5' 1"	4' 5"	4' 4"	3' 11"	3' 5"
		Multiple	7' 11"	7' 2"	6' 3"	6' 11"	6' 3"	5' 6"	5' 4"	4' 10"	4' 2"
087F125-43	33	Single	6' 11"	6' 3"	5' 6"	6' 0"	5' 6"	4' 9"	4' 8"	4' 3"	3' 8"
		Multiple	8' 6"	7' 9"	6' 9"	7' 5"	6' 9"	5' 11"	5' 9"	5' 3"	4' 7"
150F125-18	33	Single	7' 10"	7' 1"	6' 2"	6' 10"	6' 2"	5' 5"	5' 3"	4' 9"	4' 2"
		Multiple	9' 8"	8' 9"	7' 6"	8' 5"	7' 6"	6' 2"	5' 10"	4' 9"	3' 8"
150F125-27	33	Single	9' 1"	8' 3"	7' 3"	7' 11"	7' 3"	6' 4"	6' 2"	5' 7"	4' 11"
		Multiple	11' 3"	10' 3"	8' 11"	9' 10"	8' 11"	7' 10"	7' 7"	6' 7"	5' 5"
150F125-30	33	Single	9' 5"	8' 6"	7' 5"	8' 2"	7' 5"	6' 6"	6' 4"	5' 9"	5' 0"
		Multiple	11' 7"	10' 6"	9' 2"	10' 1"	9' 2"	8' 0"	7' 10"	7' 0"	5' 9"
150F125-33	33	Single	9' 8"	8' 10"	7' 8"	8' 6"	7' 8"	6' 9"	6' 7"	5' 11"	5' 2"
		Multiple	12' 0"	10' 11"	9' 6"	10' 6"	9' 6"	8' 4"	8' 1"	7' 4"	6' 0"
150F125-43	33	Single	10' 6"	9' 7"	8' 4"	9' 2"	8' 4"	7' 4"	7' 1"	6' 5"	5' 8"
		Multiple	13' 0"	11' 10"	10' 4"	11' 4"	10' 4"	9' 0"	8' 9"	8' 0"	6' 9"

(Hat) Furring (F) Channel Allowable Ceiling Spans L/120

Member	Yield Strength, Fy (ksi)	Spans	4 psf			6 psf			13 psf		
			Spacing (in) o.c.			Spacing (in) o.c.			Spacing (in) o.c.		
			12	16	24	12	16	24	12	16	24
087F125-18	33	Single	6' 5"	5' 10"	5' 1"	5' 7"	5' 1"	4' 5"	4' 4"	3' 11"	3' 5"
		Multiple	7' 4"	6' 4"	5' 1"	5' 11"	5' 2"	4' 2"	4' 1"	3' 6"	2' 10"
087F125-27	33	Single	7' 7"	6' 10"	6' 0"	6' 7"	6' 0"	5' 3"	5' 1"	4' 8"	4' 1"
		Multiple	9' 4"	8' 3"	6' 8"	7' 9"	6' 9"	5' 5"	5' 3"	4' 7"	3' 8"
087F125-30	33	Single	7' 9"	7' 1"	6' 2"	6' 10"	6' 2"	5' 5"	5' 3"	4' 9"	4' 2"
		Multiple	9' 7"	8' 9"	7' 1"	8' 3"	7' 2"	5' 9"	5' 7"	4' 10"	3' 11"
087F125-33	33	Single	8' 0"	7' 4"	6' 5"	7' 0"	6' 5"	5' 7"	5' 5"	4' 11"	4' 4"
		Multiple	9' 11"	9' 0"	7' 5"	8' 8"	7' 6"	6' 1"	5' 11"	5' 1"	4' 1"
087F125-43	33	Single	8' 8"	7' 11"	6' 11"	7' 7"	6' 11"	6' 0"	5' 10"	5' 4"	4' 8"
		Multiple	10' 9"	9' 9"	8' 5"	9' 5"	8' 5"	6' 10"	6' 7"	5' 9"	4' 8"
150F125-18	33	Single	9' 10"	8' 11"	7' 10"	8' 7"	7' 10"	6' 10"	6' 8"	6' 0"	5' 3"
		Multiple	10' 8"	9' 3"	7' 6"	8' 8"	7' 6"	6' 1"	5' 10"	4' 5"	2' 11"
150F125-27	33	Single	11' 6"	10' 5"	9' 1"	10' 0"	9' 1"	7' 11"	7' 9"	7' 0"	6' 2"
		Multiple	13' 9"	11' 11"	9' 8"	11' 2"	9' 8"	7' 11"	7' 7"	6' 7"	5' 4"
150F125-30	33	Single	11' 10"	10' 9"	9' 5"	10' 4"	9' 5"	8' 2"	8' 0"	7' 3"	6' 4"
		Multiple	14' 7"	12' 7"	10' 3"	11' 11"	10' 3"	8' 4"	8' 1"	7' 0"	5' 8"
150F125-33	33	Single	12' 3"	11' 1"	9' 8"	10' 8"	9' 8"	8' 6"	8' 3"	7' 6"	6' 7"
		Multiple	15' 1"	13' 3"	10' 9"	12' 6"	10' 10"	8' 10"	8' 6"	7' 4"	6' 0"
150F125-43	33	Single	13' 3"	12' 1"	10' 6"	11' 7"	10' 6"	9' 2"	8' 11"	8' 2"	7' 1"
		Multiple	16' 5"	14' 11"	12' 2"	14' 2"	12' 3"	9' 11"	9' 7"	8' 4"	6' 9"

1. Single spans taken as the minimum span based on moment, shear, web crippling or deflection.
2. Multiple span indicates two or more equal, continuous spans with span length measured support to support.
3. Multiple spans taken as minimum span based on moment, shear, web crippling, deflection combined bending and shear or combined bending and web crippling.
4. Web crippling values based on 1-inch bearing at end and interior supports.